

T estpassport考試指南



品 質 更 高 服 務 更 好

一年免費更新服務

<http://www.testpassport.net>

Exam : **642-892**

Title : **Composite Exam**

Version : **Demo**

1. If no metric is specified for the routes being redistributed into IS-IS, what metric value is assigned to the routes?

- A. 0
- B. 1
- C. 10
- D. 20

Answer:A

2. Which three restrictions apply to OSPF stub areas? (Choose three.)

- A. No virtual links are allowed.
- B. The area cannot be a backbone area.
- C. Redistribution is not allowed unless the packet is changed to a type 7 packet.
- D. The area has no more than 10 routers.
- E. No autonomous system border routers are allowed.
- F. Interarea routes are suppressed.

Answer: ABE

3. Refer to the exhibit. Which two statements are true about the partial configuration that is provided. (Choose two.)

```
router bgp 100
  neighbor internal peer-group
  neighbor internal remote-as 100
  neighbor internal update-source loopback 0
  neighbor internal route-map set-med out
  neighbor internal filter-list 1 out
  neighbor internal filter-list 2 in
  neighbor 171.69.232.53 peer-group internal
  neighbor 171.69.232.54 peer-group internal
  neighbor 171.69.232.55 peer-group internal
  neighbor 171.69.232.55 filter-list 3 in
```

- A. All the configured neighbors are in autonomous system 100.
- B. The peer group shortens the IBGP configuration.
- C. The peer group shortens the EBGP configuration.
- D. Only the outgoing filters are applied to BGP updates.
- E. Three AS-path filters are applied to each BGP neighbor.

Answer:AB

4. Refer to the exhibit. Which two statements are correct? (Choose two.)

```

Router# show ip bgp

BGP table version is 5, local router ID is 10.0.33.34
Status codes: s suppressed, d damped, h history, * valid, > best, i - internal
Origin codes: i - IGP, e - EGP, ? - incomplete

   Network          Next Hop           Metric LocPrf Weight Path
*> 10.1.0.0          0.0.0.0             0           32768 ?
* 10.2.0.0          10.0.33.35          10           0 35 ?
*>                   0.0.0.0             0           32768 ?
* 10.0.0.0          10.0.33.35          10           0 35 ?
*>                   0.0.0.0             0           32768 ?
*> 192.168.0.0/16   10.0.33.35          10           0 35 ?

```

- A. All six routes will be installed in the routing table.
- B. Two routes will be installed in the routing table.
- C. Four routes will be installed in the routing table.
- D. All the routes were redistributed into BGP from an IGP.
- E. All the routes were originated by BGP with the network command.

Answer: CD

5. Which three IP multicast related statements are true? (Choose three.)

- A. Multicast addresses 224.0.1.0 through 238.255.255.255 are called globally scoped addresses. They are used to multicast data between organizations and across the Internet.
- B. The multicast address 224.0.0.1 is a globally scoped address that has been reserved for the Network Time Protocol (NTP) by the IANA.
- C. Multicast addresses 239.0.0.0 through 239.255.255.255 are called limited scope addresses. They are constrained to a local group or organization.
- D. Multicast addresses 224.0.0.5 and 224.0.0.6 are limited scoped addresses that have been reserved for OSPF.
- E. Multicast addresses 224.0.0.0 through 224.0.0.255 are used for network protocols on local LAN segments. Because they are always transmitted with a Time to Live (TTL) of 1, they are never forwarded by a router.

Answer: ACE

6. Which three IP multicast address related statements are true? (Choose three.)

- A. Multicast addresses 224.0.0.0 through 224.0.0.255 are always forwarded because they are transmitted with Time to Live (TTL) greater than 1.
- B. Multicast addresses 224.0.0.5 and 224.0.0.6 are source multicast addresses for OSPF routers.
- C. Multicast addresses 224.0.0.13 and 224.0.0.22 are reserved link-local addresses used by PIMv2 and IGMPv3.
- D. Because they would map to overlapping IP multicast MAC addresses, multicast addresses 224.0.1.1 and 238.1.1.1 could not be used together.
- E. Multicast address 224.0.1.1 has been reserved for the Network Time Protocol (NTP) by the IANA.
- F. The administratively scoped multicast addresses 239.0.0.0 through 239.255.255.255 are similar in purpose to RFC 1918 private unicast addresses.

Answer: CEF

7. Which three IP multicast group concepts are true? (Choose three.)

- A. If a packet is sent to a multicast group address, all members of the multicast group will receive it.
- B. If a packet is sent to a multicast group address, the multicast frame contains the source multicast address.
- C. A router does not have to be a member of a multicast group to receive multicast data.
- D. A router does not have to be a member of a multicast group to send to the group.
- E. A router must be a member of a multicast group to receive multicast data.
- F. A router must be a member of a multicast group to send to the group.

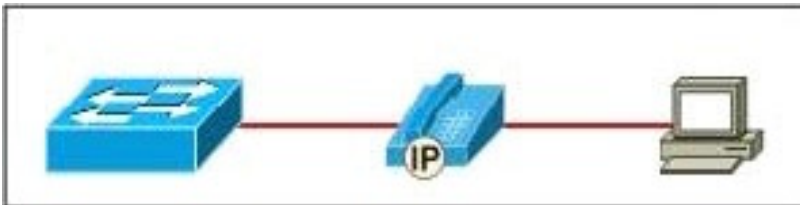
Answer: ADE

8. Which two multicast protocol statements are true? (Choose two.)

- A. Dense mode multicast requires explicit join messages from their members.
- B. Dense mode multicast uses a push model to flood traffic throughout the network and then prunes the unwanted traffic.
- C. Sparse mode multicast uses a pull model to send multicast traffic to where it is requested.
- D. Sparse mode uses reverse path forwarding (RPF) to prune off redundant flows.
- E. The primary use of sparse mode multicast is for test labs and router performance testing.

Answer:BC

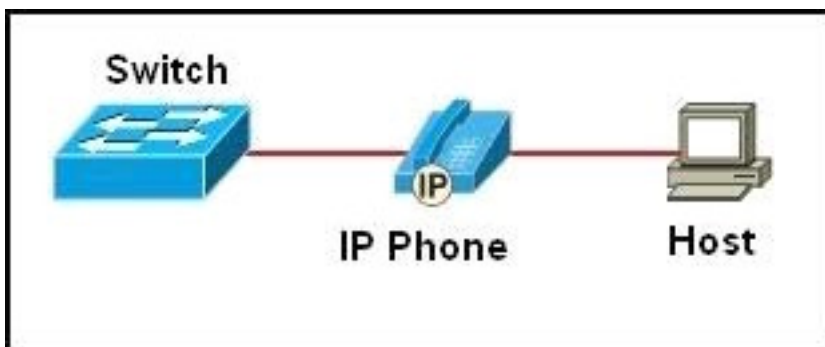
9. Refer to the exhibit. Which statement is true about a voice VLAN?



- A. Physically the voice network and the data network are separate.
- B. The voice traffic will normally be on a different IP subnet than will the data traffic.
- C. End user intervention is necessary to place the phone into the proper VLAN.
- D. The same security policy should be implemented for both voice and data traffic.
- E. The data VLAN must be configured as the native VLAN.

Answer: B

10. Refer to the exhibit. What is the effect on the trust boundary of configuring the command mls qos trust cos on the switch port that is connected to the IP phone?



- A. Effectively the trust boundary has been moved to the IP phone.
- B. The host is now establishing the CoS value and has effectively become the trust boundary.
- C. The switch is rewriting packets it receives from the IP phone and determining the CoS value.
- D. The switch will no longer tag incoming voice packets and will trust the distribution layer switch to set the CoS.
- E. RTP will be used to negotiate a CoS value based upon bandwidth utilization on the link.

Answer:A

11. Which three WLAN statements are true? (Choose three.)

- A. A lightweight AP receives control and configuration from a WLAN controller to which it is associated.
- B. A WLAN client that is operating in half-duplex mode will delay all clients in that WLAN.
- C. Ad hoc mode allows mobile clients to connect directly without an intermediate AP.
- D. Another term for infrastructure mode is independent service set (IBSS).
- E. The Aironet 1230 access point is an example of an access point that operates solely as a lightweight access point.
- F. WLANs are designed to share the medium and can easily handle an increased demand of channel contention.

Answer: ABC

12. Which statement is true about IP telephony calls?

- A. A Voice over IP (VoIP) packet consists of the voice payload, IP header, TCP header, RTP header, and Layer 2 link header.
- B. The voice carrier stream uses H.323 to set up, maintain, and tear down call endpoints.
- C. Call control signaling uses Real-Time Transport Protocol (RTP) packets that contain actual voice samples.
- D. The sum of bandwidth necessary for each major application, including voice, video, and data, should not exceed 75 percent of the total available bandwidth for each link.

Answer: D

13. Which three statements are true about the voice VLAN feature on a Catalyst 2950 switch? (Choose three.)

- A. The CoS value is trusted for 802.1p or 802.1q tagged traffic.
- B. The voice VLAN feature is disabled by default.
- C. The IP phone accepts the priority of all tagged and untagged traffic and sets the CoS value to 4.
- D. When the voice VLAN feature is enabled, all untagged traffic is sent according to the default CoS priority of the port.
- E. PortFast is automatically disabled when a voice VLAN is configured.
- F. The default CoS value for incoming traffic is set to 0.

Answer:BDF

14. Which two Aironet enterprise solution statements are true? (Choose two.)

- A. A Cisco Aironet AP handles the transmission of beacon frames and also handles responses to probe request frames from clients.
- B. A Cisco Aironet solution includes intelligent Cisco Aironet access points (APs) and Cisco Catalyst

switches.

C. In the Cisco Aironet solution, each AP is locally configured by the use of either a web interface or the command line interface.

D. The Cisco Aironet AP handles real-time portions of the LWAPP protocol, and the WLAN controller handles those items which are not time sensitive.

E. Virtual MAC architecture allows the splitting of the 802.11 protocol between the Cisco Aironet AP and a LAN switch.

Answer: AD

15. Which statement about the Lightweight Access Point Protocol (LWAPP) is true?

A. LWAPP encrypts control traffic between the AP and the controller.

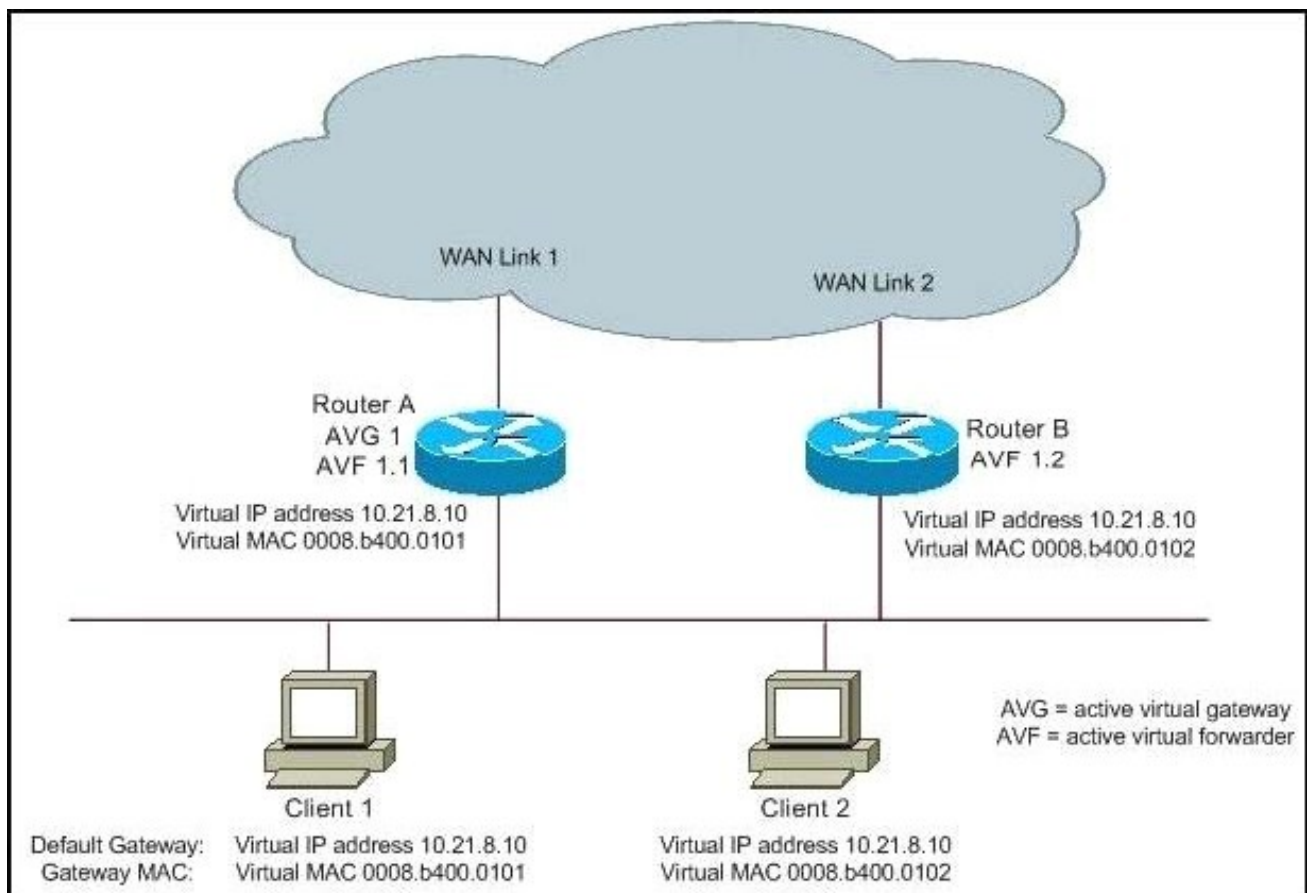
B. LWAPP encrypts user traffic with a x.509 certificate using AES-CCMP.

C. LWAPP encrypts both control traffic and user data.

D. When set to Layer 3, LWAPP uses a proprietary protocol to communicate with the Cisco Aironet APs.

Answer: A

16. Refer to the exhibit. Which three statements accurately describe this GLBP topology? (Choose three.)



A. Router A is responsible for answering ARP requests sent to the virtual IP address.

B. If Router A becomes unavailable, Router B will forward packets sent to the virtual MAC address of Router A.

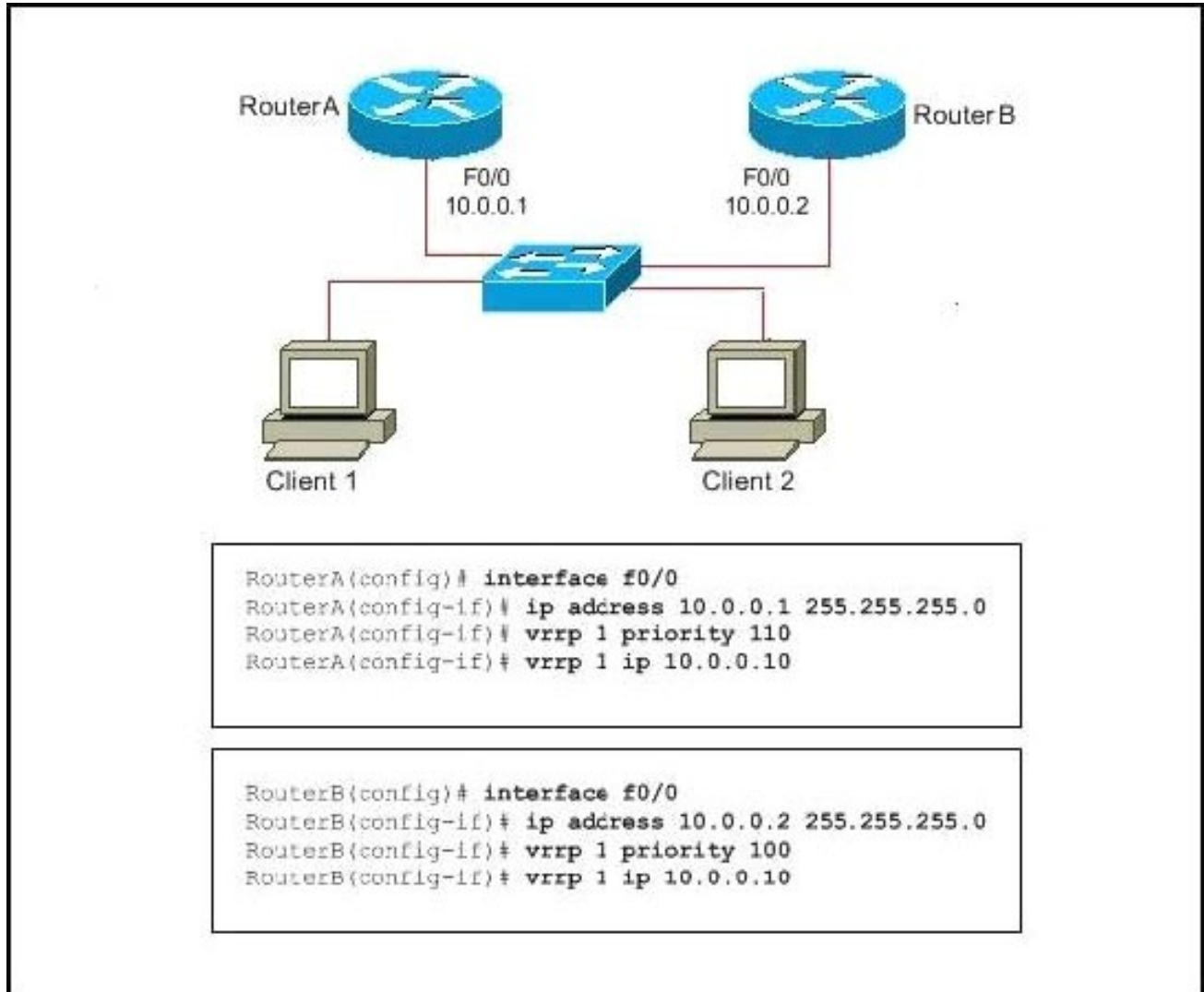
C. If another router were added to this GLBP group, there would be two backup AVGs.

D. Router B is in GLBP listen state.

- E. Router A alternately responds to ARP requests with different virtual MAC addresses.
- F. Router B will transition from blocking state to forwarding state when it becomes the AVG.

Answer:ABE

17. Refer to the exhibit. Which Virtual Router Redundancy Protocol (VRRP) statement is true about the roles of the master virtual router and the backup virtual router?



- A. Router A is the master virtual router, and Router B is the backup virtual router. When Router A fails, Router B will become the master virtual router. When Router A recovers, Router B will maintain the role of master virtual router.
- B. Router A is the master virtual router, and Router B is the backup virtual router. When Router A fails, Router B will become the master virtual router. When Router A recovers, it will regain the master virtual router role.
- C. Router B is the master virtual router, and Router A is the backup virtual router. When Router B fails, Router A will become the master virtual router. When Router B recovers, Router A will maintain the role of master virtual router.
- D. Router B is the master virtual router, and Router A is the backup virtual router. When Router B fails, Router A will become the master virtual router. When Router B recovers, it will regain the master virtual router role.

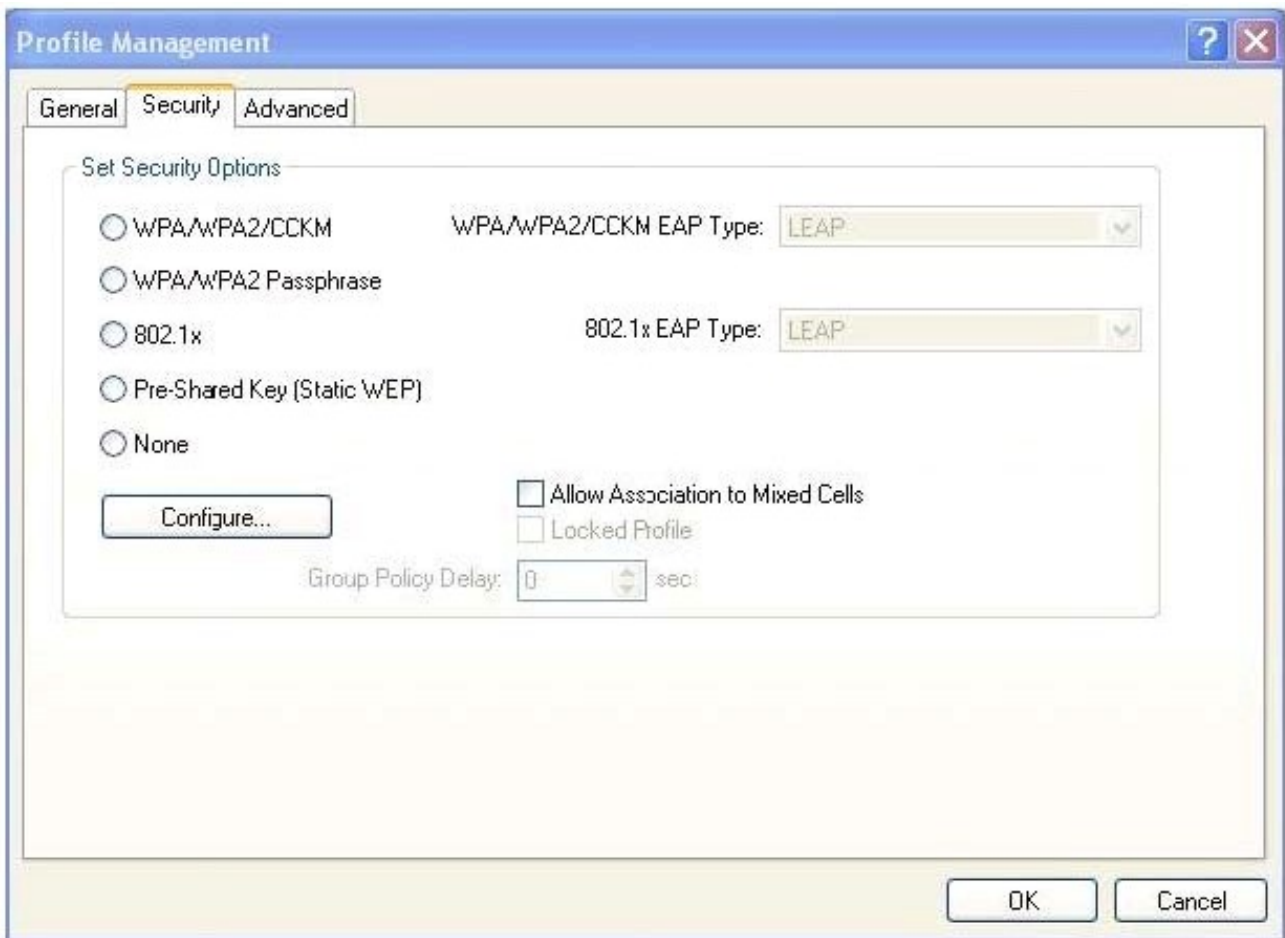
Answer:B

18. Which issue or set of issues does the Lightweight Access Point Protocol (LWAPP) address?

- A. reduction of processing in wireless controllers
- B. distributed approach to authentication, encryption, and policy enforcement
- C. provides security by blocking communication between access points and wireless clients
- D. access point discovery, information exchange, and configuration

Answer: D

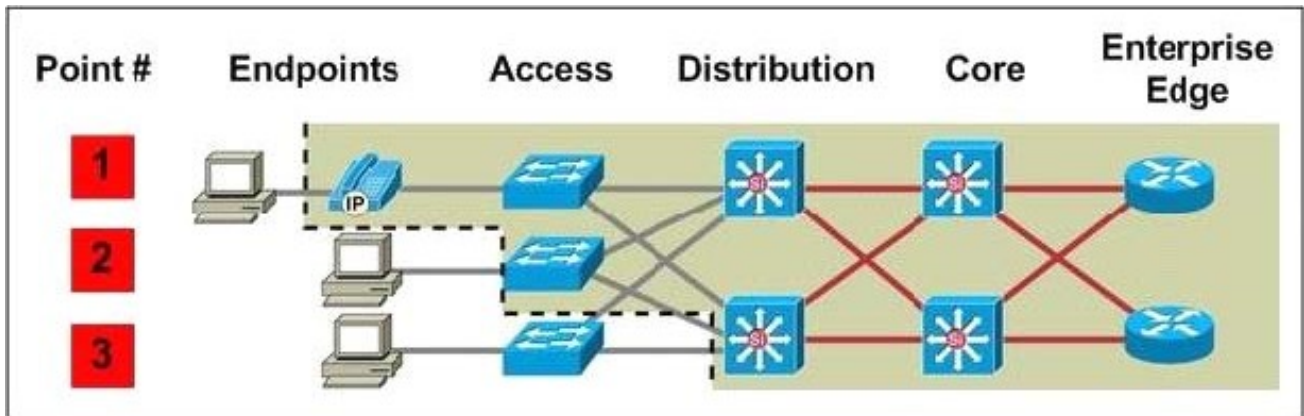
19. Refer to the exhibit. When a profile is configured in the Aironet Desktop Utility, which security option permits the configuration of host-based Extensible Authentication Protocol (EAP)?



- A. WPA/WPA2/CCKM
- B. WPA/WPA2 Passphrase
- C. 802.1x
- D. Pre-Shared Key (Static WEP)

Answer:C

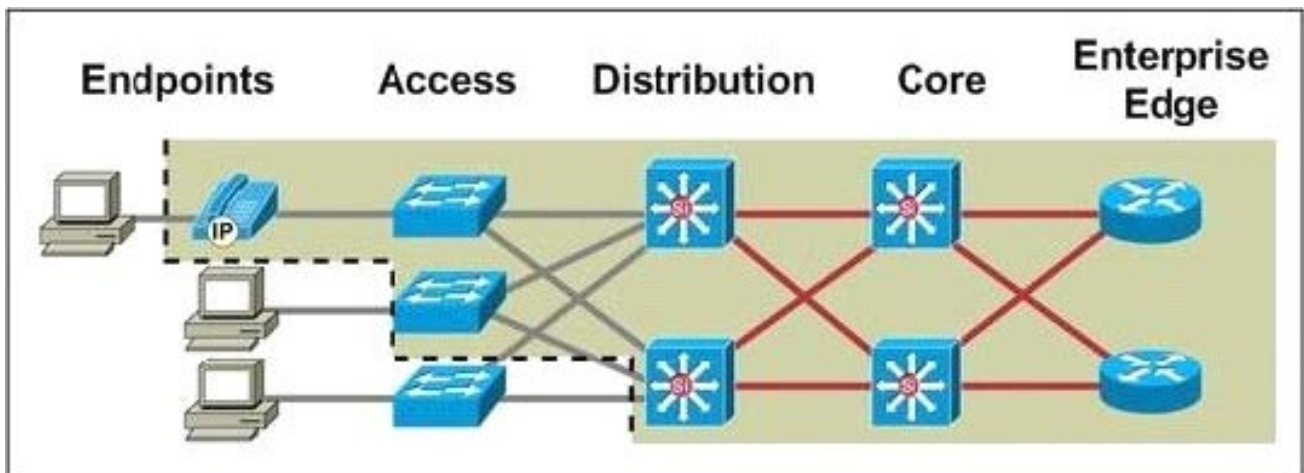
20. Refer to the exhibit. Which statement is true about where trust boundaries should be established in a network?



- A. Endpoint 1 is the only acceptable place to establish a trust boundary.
- B. Endpoint 1 is the optimal place to establish a trust boundary. Endpoints 2 and 3 are acceptable places to establish a trust boundary.
- C. Endpoint 2 is the only acceptable place to establish a trust boundary.
- D. Endpoint 2 is the optimal place to establish a trust boundary. Endpoints 1 and 3 are acceptable places to establish a trust boundary.
- E. Endpoints 1 and 2 are optimal places to establish a trust boundary. Endpoint 3 is an acceptable place to establish a trust boundary.
- F. Endpoints 2 and 3 are optimal places to establish a trust boundary. Endpoint 1 is an acceptable place to establish a trust boundary.

Answer: E

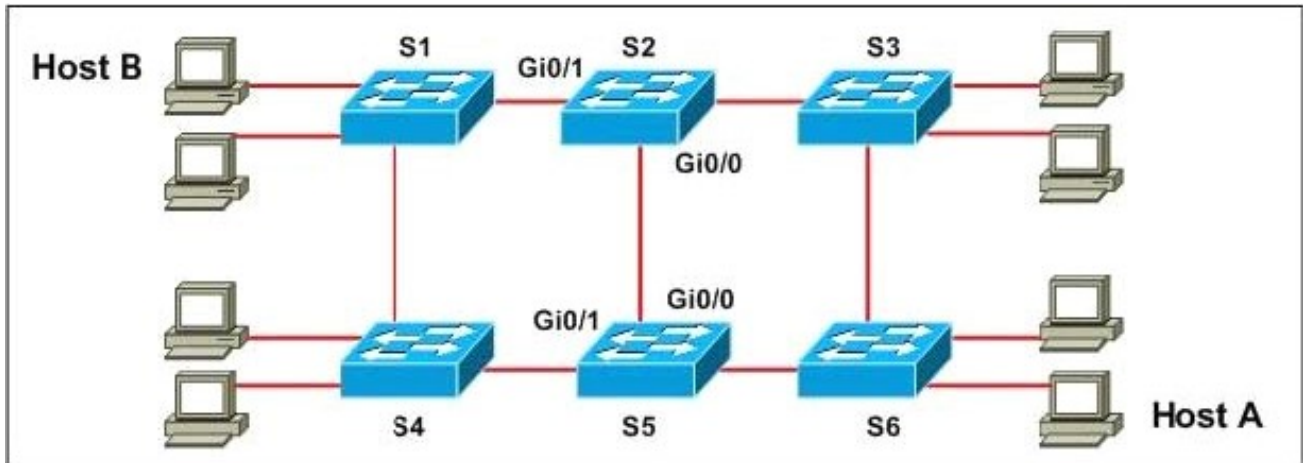
21. Refer to the exhibit. Which three statements are true about trust boundaries in the campus network? (Choose three.)



- A. A device is trusted if it correctly classifies packets.
- B. A device is trusted if it correctly declassifies packets.
- C. The outermost trusted devices represent the trust boundary.
- D. Classification and marking occur using 802.1ab QoS bits before reaching the trust boundary.
- E. Network trust boundaries are automatically configured in IOS version 12.3 and later.
- F. For scalability, classification should be done as close to the edge as possible.

Answer:ACF

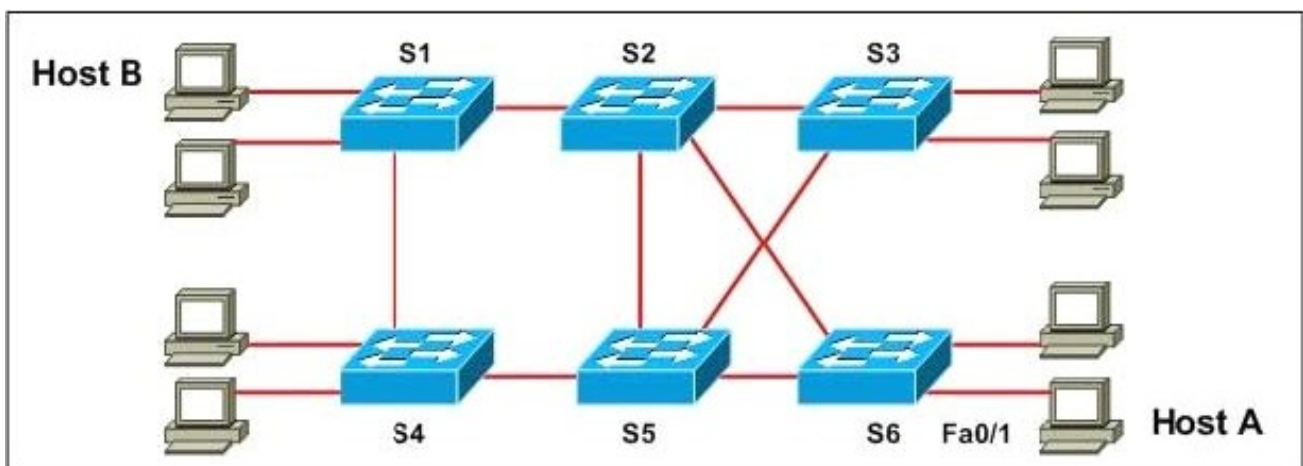
22. Refer to the exhibit. The command spanning-tree guard root is configured on interface Gi0/0 on both switch S2 and S5. The global configuration command spanning-tree uplinkfast has been configured on both switch S2 and S5. The link between switch S4 and S5 fails. Will Host A be able to reach Host B?



- A. Yes. Traffic can pass either from switch S6 to S3 to S2 to S1, or, from switch S6 to S5 to S2 to S1.
- B. No. Traffic will pass from switch S6 to S5 and dead-end at interface Gi 0/0.
- C. No. Traffic will loop back and forth between switch S5 and S2.
- D. Yes. Traffic will pass from switch S6 to S3 to S2 to S1.
- E. No. Traffic will either pass from switch S6 to S5 and dead-end, or traffic will pass from switch S6 to S3 to S2 and dead-end.

Answer:D

23. Refer to the exhibit. The command spanning-tree bpdfilter enable is configured on interface Fa0/1 on switch S6. The link between switch S5 and S6 fails. Will Host A be able to reach Host B?



- A. Fifty percent of the traffic will successfully reach Host B, and fifty percent will dead-end at switch S3 because of a partial spanning-tree loop.
- B. No. Traffic will pass from switch S6 to S2 and dead-end at S2.
- C. No. Traffic will loop back and forth between switch S6 and Host A.
- D. No. Traffic will loop back and forth between switches S2 and S3.

E. Yes. Traffic will pass from switch S6 to S2 to S1.

Answer: E

24. Which two statements about the Cisco Aironet Desktop Utility (ADU) are true? (Choose two.)

- A. The Aironet Desktop Utility (ADU) can be used to establish the association between the client adapter and the access point, manage authentication to the wireless network, and enable data encryption.
- B. The Aironet Desktop Utility (ADU) and the Microsoft Wireless Configuration Manager can be used at the same time to configure the wireless client adapter.
- C. The Aironet Desktop Utility (ADU) can support only one wireless client adapter installed and used at a time.
- D. The Aironet Desktop Utility (ADU) profile manager feature can create and manage only one profile for the wireless client adapter.
- E. When the user selects a different profile in the Aironet Desktop Utility (ADU), the settings for the wireless client adapter are changed only after a reboot.

Answer:AC

25. Refer to the exhibit. A Cisco Aironet Wireless LAN Client Adapter has been installed and configured through the ADU on the PC. The Aironet System Tray Utility (ASTU) has been enabled during the installation and the icon appears in the system tray area in the lower right of the desktop. What is the significance of the icon?



- A. It indicates that the radio of the client adapter is disabled.
- B. It indicates that the client adapter is not associated to an access point or another client.
- C. It indicates that the client adapter is associated to an access point or another client, but the user is not EAP authenticated.
- D. It indicates that the client adapter is associated to an access point or another client, that the user is authenticated if the client adapter is configured for EAP authentication, and that the signal strength is excellent or good.
- E. It indicates that the client adapter is associated to an access point or another client, that the user is authenticated if the client adapter is configured for EAP authentication, and that the signal strength is fair.
- F. It indicates that the client adapter is associated to an access point or another client, that the user is authenticated if the client adapter is configured for EAP authentication, and that the signal strength is poor.

Answer: F

26. Which two statements are true about voice packets in a LAN? (Choose two.)

- A. Voice traffic data flow involves large volumes of large packets.
- B. Because a packet loss involves a small amount of data, voice traffic is less affected by packet losses than traditional data traffic is.

- C. Voice carrier stream utilizes Real-Time Transport Protocol (RTP) to carry the audio/media portion of VoIP communication.
- D. Voice packets are very sensitive to delay and jitter.
- E. Voice packets are encapsulated in TCP segments to allow for proper sequencing during delivery.

Answer:CD

27. A client is searching for an access point (AP). What is the correct process order that the client and access point go through to create a connection?

- A. probe request/response, authentication request/response, association request/response
- B. association request/response, authentication request/response, probe request/response
- C. probe request/response, association request/response, authentication request/response
- D. association request/response, probe request/response, authentication request/response

Answer: A

28. Which two types of activities does the Lightweight Access Point Protocol (LWAPP) define? (Choose two.)

- A. access point certification and software control
- B. compression and Layer 3 address mapping
- C. Layer 3 addressing and distribution
- D. packet encapsulation, fragmentation, and formatting
- E. SNMP monitoring services

Answer: AD

29. Which statement about the Lightweight Access Point Protocol (LWAPP) protocol is true?

- A. The processing of 802.11 data and management protocols and access point capabilities is distributed between a lightweight access point and a centralized WLAN controller.
- B. LWAPP aggregates radio management forward information and sends it to a wireless LAN solution engine.
- C. LWAPP authenticates all access points in the subnet and establishes a secure communication channel with each of them.
- D. LWAPP advertises its WDS capability and participates in electing the best WDS device for the wireless LAN.

Answer:A

30. Which two statements are true about network voice traffic? (Choose two.)

- A. Voice traffic is affected more by link speed than FTP traffic is.
- B. Voice traffic is affected more by packet delays than FTP traffic is.
- C. Voice streams involve larger packet sizes than most TCP network traffic involves.
- D. Voice traffic is more sensitive to packet loss than TCP network traffic is.
- E. Voice traffic requires QOS mechanisms only in heavily loaded network segments.

Answer: BD