

T estpassport考試指南



品 質 更 高 服 務 更 好

一年免費更新服務

<http://www.testpassport.net>

Exam : **E22-280**

Title : Avamar Backup and Data
Deduplication Exam

Version : Demo

1. What are key features of EMC Avamar?

- A. Disk-based archive
 - RAID, RAIN, clustering and replication
 - Global deduplication
- B. Global deduplication
 - RAID, RAIN, checkpoints and replication
 - Disk storage
- C. Global deduplication
 - RAID, RAIN, checkpoints and replication
 - Auto-archive of NAS
- D. OS-specific deduplication
 - RAID, RAIN, checkpoints and replication
 - Full, Incremental and Differential file system backups

Answer: B

2. How does EMC Avamar reduce the amount of backup data that is sent across the network?

- A. Excludes files with similar content from the backup
- B. Only performs backups of changed blocks
- C. Performs fixed block deduplication
- D. Identifies redundant data at the source

Answer: D

3. What best describes EMC Avamar's method of deduplication?

- A. Reduces storage needs for file servers by identifying duplicate files within disk volumes with source-based deduplication.
- B. Reduces the amount of full backups by eliminating redundant data and performing incrementals forever
- C. Uses a fixed length deduplication process to determine segment size by examining data for repeatable boundary points
- D. Uses a variable length segmentation process to determine segment size by examining data for repeatable boundary points

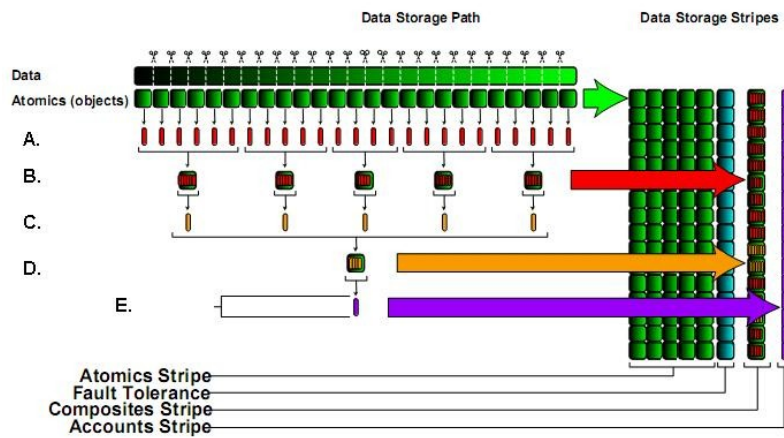
Answer: D

4. What is the maximum number of data nodes in a supported EMC Avamar server configuration?

- A. 12
- B. 14
- C. 16
- D. 18

Answer: C

5. Click the Exhibit button.



What does C. represent?

Answer: B

6. When performing a restore of data on a client what process receives the restore data?

- A. ascd
- B. avagent
- C. avscd
- D. avtar

Answer: D

7. In an EMC Avamar backup, which client process communicates with the gsan process on the Avamar server?

- A. avagent
- B. avscd
- C. avtar
- D. mcs

Answer: C

8. When performing a backup with no encryption, to which port on the Avamar server does the client connect?

Answer: A

9. In an EMC Avamar backup, what is the role of sticky-byte factoring?

- A. Consistently creates 24 KB chunks

- B. Consistently produces the same chunk result on unchanged data
- C. Decides which chunks are sent to the Avamar server
- D. Determines which files to chunk

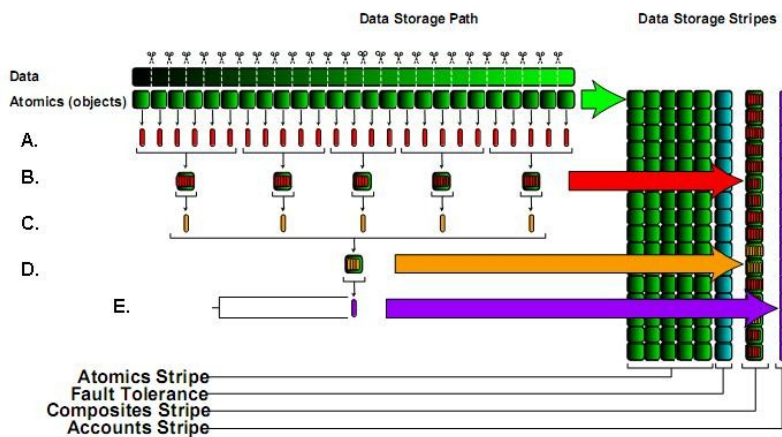
Answer: B

10. When performing a backup with encryption enabled, to which port on the Avamar server does the client connect?

- A. 27000
- B. 28001
- C. 28002
- D. 29000

Answer: D

11. Click the Exhibit button.



What does E. represent?

Answer: D

12. In an EMC Avamar backup, how are Microsoft Office 2007 files processed?

- A. Chunking is not performed on the files.
- B. Files are chunked first, then compressed and hashed.
- C. Files are compressed first, then chunked and hashed.
- D. Files are uncompressed first, then chunked and hashed.

Answer: D

13. On an EMC Avamar backup client what process receives backup work orders from the server?

- A. ascd
- B. avagent
- C. avsc
- D. avtar

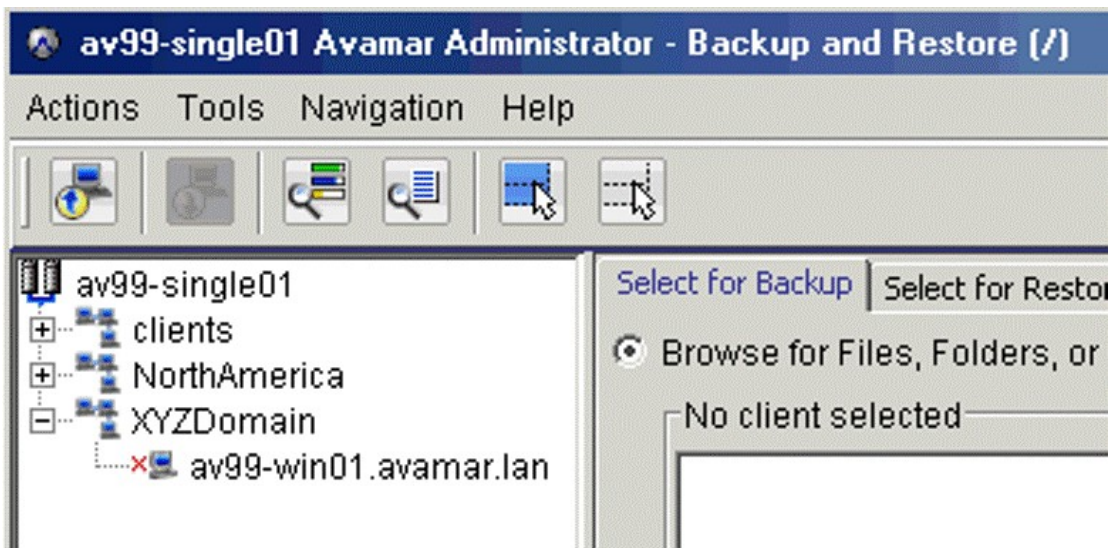
Answer: B

14. In an EMC Avamar backup, which client process listens for incoming work orders from the Avamar server?

- A. avagent
- B. avsc
- C. avtar
- D. mcs

Answer: A

15. Click the Exhibit button.



In the Avamar Administrator interface, where do you navigate to allow the client to re-register with the server?

- A. Administration
- B. Backup Management
- C. Policy
- D. Server

Answer: C

16. What is an advantage of using an EMC Avamar advanced retention policy for daily backups?

- A. Eliminates the need for separate backup schedules
- B. Ensures that backups never expire
- C. Globally increases retention on previous backups
- D. Simplifies backup management

Answer: D

17. In an EMC Avamar backup environment, what is a requirement for restoring Client A's backup data to Client B?

- A. Backup must be non-database data.
- B. Client A and Client B must be in the same Avamar domain.
- C. Client B must be activated with the Avamar server containing the backup data.
- D. File to be restored must exist on Client B.

Answer: C

18. A client is configured to back up to an EMC Avamar system; however, backups are failing. Upon reviewing the configuration on the client, you discover that the cid.bin file is missing.

Which corrective action should be taken?

- A. Create an empty cid.bin file
- B. Delete the cache files
- C. Insert the name of the Avamar system in a new cid.bin file
- D. Reactivate the client with the Avamar system

Answer: D

19. An EMC Avamar administrator wants to run a backup from the command line on a Microsoft Windows client. Which command is run?

- A. avagent
- B. avsccl
- C. avtar
- D. mccli

Answer: C

20. In a multiple locale EMC Avamar environment, a multi-node Avamar server is running in the U.S./Pacific time zone. The administrator is in the U.S./Eastern time zone. What is the time basis used when configuring an Avamar backup schedule?

- A. GMT/UTC
- B. U.S./Eastern
- C. U.S./Pacific
- D. Utility Node Time

Answer: B

21. In a multi-locale EMC Avamar environment, a multi-node Avamar server is running in the U.S./Pacific time zone. Because there are backup clients throughout the world, you have created a domain for each geographical area and a domain administrator to manage the backup clients in each domain.

While setting up backup schedules so that they do not conflict with the Avamar server daily maintenance cron job, what must each domain administrator keep in mind?

- A. Time basis for a schedule is the local time of the Avamar Administrator console session.
- B. Time basis for clients is the local time of the Avamar server utility node.

- C. Time basis for the gsan and the administrator server is the same.
- D. Time basis for the morning cron job is GMT.

Answer: A

22. You are designing an EMC Avamar solution to perform backups to a 1X8 system. The customer has large clients backing up over the WAN. They are concerned that WAN bandwidth usage by remote backup clients would impact corporate users sharing the WAN.

The customer would like to restrict the clients' bandwidth usage for backups. What would you recommend?

Answer: B

23. Click the Exhibit button.

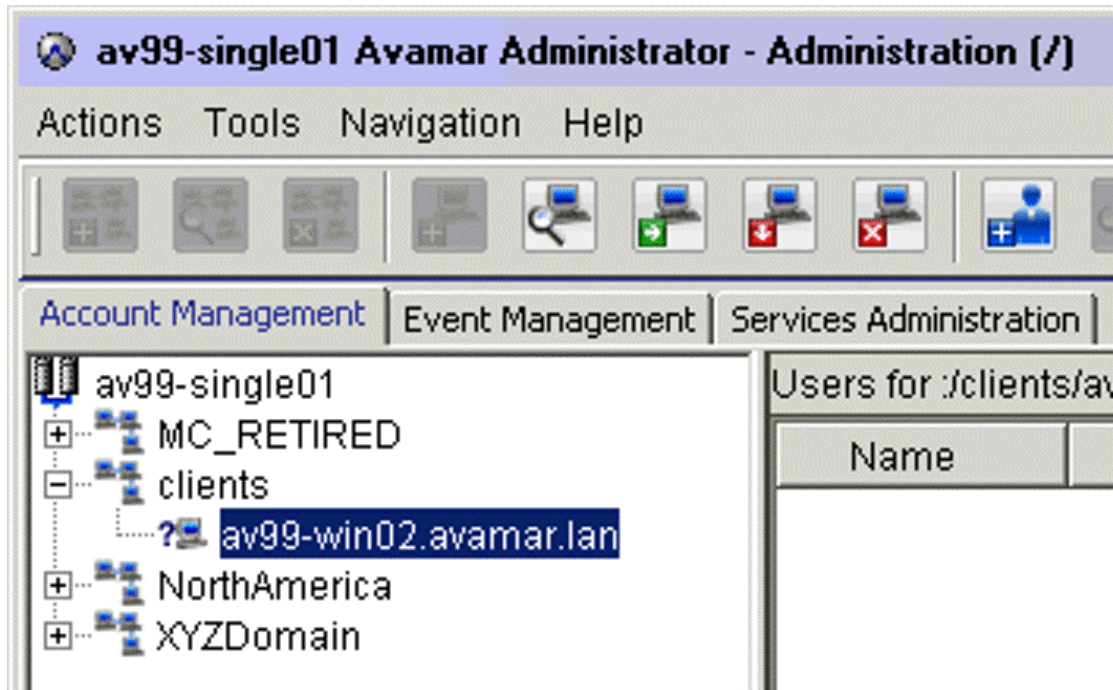
```
root@irvava01:~/#: cat /usr/local/avamar/var/probe.out
NONAT
irvava01:10.5.192.18,10.5.192.18:10.5.192.19,10.5.192.20,10.5.192.21,10.5.192.22
```

The EMC Avamar administrator notices a red "X" in the display next to a client name. What does this mean?

- A. Client is being deleted.
- B. Client is disabled.
- C. Client is retired.
- D. Client paging is disabled.

Answer: B

24. Click the Exhibit button.



The EMC Avamar administrator notices a question mark in the display next to the icon for a client in the display. What does this indicate?

- A. Client is being deleted.
- B. Client is disabled.
- C. Client is not activated.
- D. Client is retired.

Answer: C

25. The EMC Avamar administrator wants to configure Avamar so that backups for a client will not be attempted while the client machine is down for a 2-week maintenance period. What can the administrator do to temporarily stop scheduled backups for this client while still maintaining access to its backup data for restores?

- A. Delete the client
- B. Delete the client's domain
- C. Disable the client
- D. Rename the client

Answer: C

26. An EMC Avamar client machine is being permanently taken out of service. The client's backup data needs to be retained. How can this be accomplished?

- A. Delete the client
- B. Mark the client's backup data as read-only
- C. Move the client to the deleted domain
- D. Retire the client

Answer: D

27. In EMC Avamar, the client paging option is disabled. What is the impact?

- A. Client cannot be browsed for backup.
- B. Client cannot perform backups.
- C. Client data cannot be recovered.
- D. Client redirected restores cannot be performed.

Answer: A

28. What is a best practice when implementing EMC Avamar replication?

- A. Keep the replication timeout value consistent
- B. Schedule replication so that it does not run while backups are running
- C. Schedule replication to run during the day
- D. Use a larger timeout value for initial replications

Answer: D

29. You are designing an EMC Avamar backup solution consisting of two Avamar servers (Server A and Server B) with replication. Which configuration provides seamless server failover capability?

- A. All clients back up to Avamar server A and backup data is replicated to Avamar server B using normal replication.
- B. Using normal replication, clients of server A replicate to Avamar server B and clients of Avamar server B replicate to Avamar server A.

C. Using root-to-root replication, clients of Avamar server A replicate to Avamar server B and clients of Avamar server B replicate to Avamar server A.

D. All clients back up to Avamar server A and backup data is replicated to Avamar server B using root-to-root replication.

Answer: D

30. Which operation is allowed with EMC Avamar standard replication?

A. Deletion of client backups within the REPLICATE domain

B. Redirected restores to clients within the REPLICATE domain

C. Restores to clients within the REPLICATE domain

D. Validation of backups to clients within the REPLICATE domain

Answer: A