

# T estpassport考試指南



品 質 更 高 服 務 更 好

一年免費更新服務

<http://www.testpassport.net>

**Exam** : **HP0-382**

**Title** : Servicing HP Mid-Range  
Integrity Servers

**Version** : DEMO

**1.Which conditions prevent the manageability firmware from applying 48 V DC power to an rx8620 server? Select TWO.**

- A.insufficient number of CPU fans
- B.insufficient number of I/O fans
- C.the PC command issued to power down the cabinet
- D.ambient temperature in an OVERTEMP LOW condition
- E.insufficient number of main fans

**Correct:B E**

**2.Which EFI command shows the available filesystems and block devices?**

- A.map -r
- B.reconnect -r
- C.drivers -b boot
- D.drvcfg -s [driver] [controller]

**Correct:A**

**3.On an rx7620 server running HP-UX, you just added a supported I/O card. Using "ioscan -fn", you receive the following message: unknown -1 0/4/1/0/0/0/0 UNCLAIMED UNKNOWN PCI RAID (101e1960) What does the "UNCLAIMED UNKNOWN" mean?**

- A.The card should be configured first using "sautil."
- B.The appropriate driver is not installed in the kernel.
- C.No valid file system is configured on the connected disks.
- D.No disks are connected to the RAID controller, so no more information can be displayed.

**Correct:B**

**4.What is the purpose of the EFI driver for the Host Bus Adapter (HBA)?**

- A.to boot to EFI shell
- B.only used for diagnostic
- C.boot support for an OS
- D.not used on Itanium systems

**Correct:C**

**5.Which error logs can be accessed through the MP on an rx7620 server? Select TWO.**

- A.Firmware Log
- B.System Event Log
- C.Live Performance Log
- D.Kernel Debugging Log
- E.Forward Progress Log

**Correct:B E**

**6.Using Linux, how do you check the amount of installed memory?**

- A.Run the cstm command.
- B.Run the lspci command.
- C.View the /proc directory.
- D.View the /mem directory.
- E.Run the meminfo command.

**Correct:C**

**7.What is a feature of the nvrboot.efi utility?**

- A.backup boot disk information

- B.save boot option configuration
- C.copy an NVRAM command
- D.install new utilities

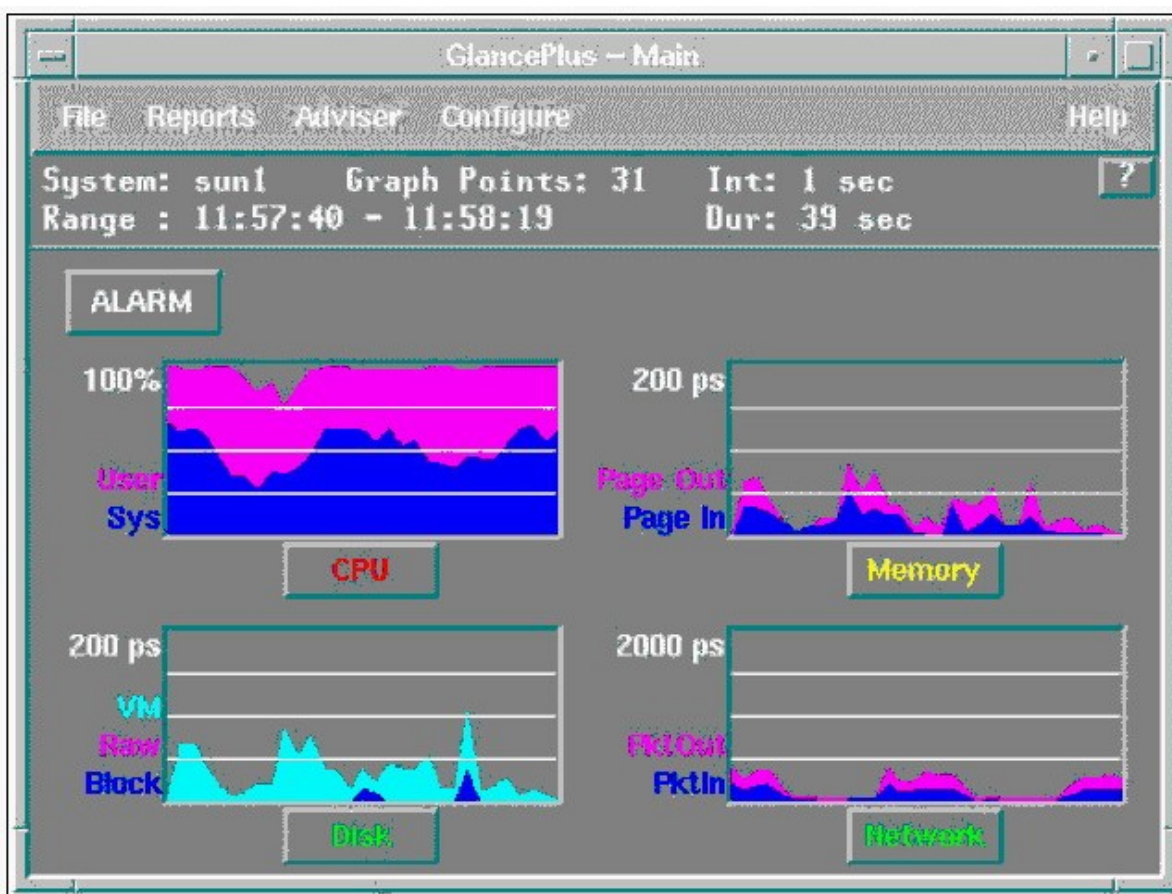
**Correct:B**

**8.HP OpenView GlancePlus is available for which operating system or systems?**

- A.Linux only
- B.HP-UX only
- C.Windows only
- D.HP-UX and Linux
- E.Linux and Windows

**Correct:D**

**9.Click the Exhibit button. A customer's system has a performance issue. Which resource in the exhibit has poor performance?**



- A.CPU
- B.memory
- C.disk
- D.networking
- E.disk

**Correct:A**

**10.Which tools belong to the HP OpenView Storage Area Manager Suite? Select THREE.**

- A.Storage Allocator
- B.Storage Media Operations

- C.Storage Builder
- D.Storage Virtual Replicator
- E.Storage Node Manager
- F.Storage Mirroring

**Correct:A C E**

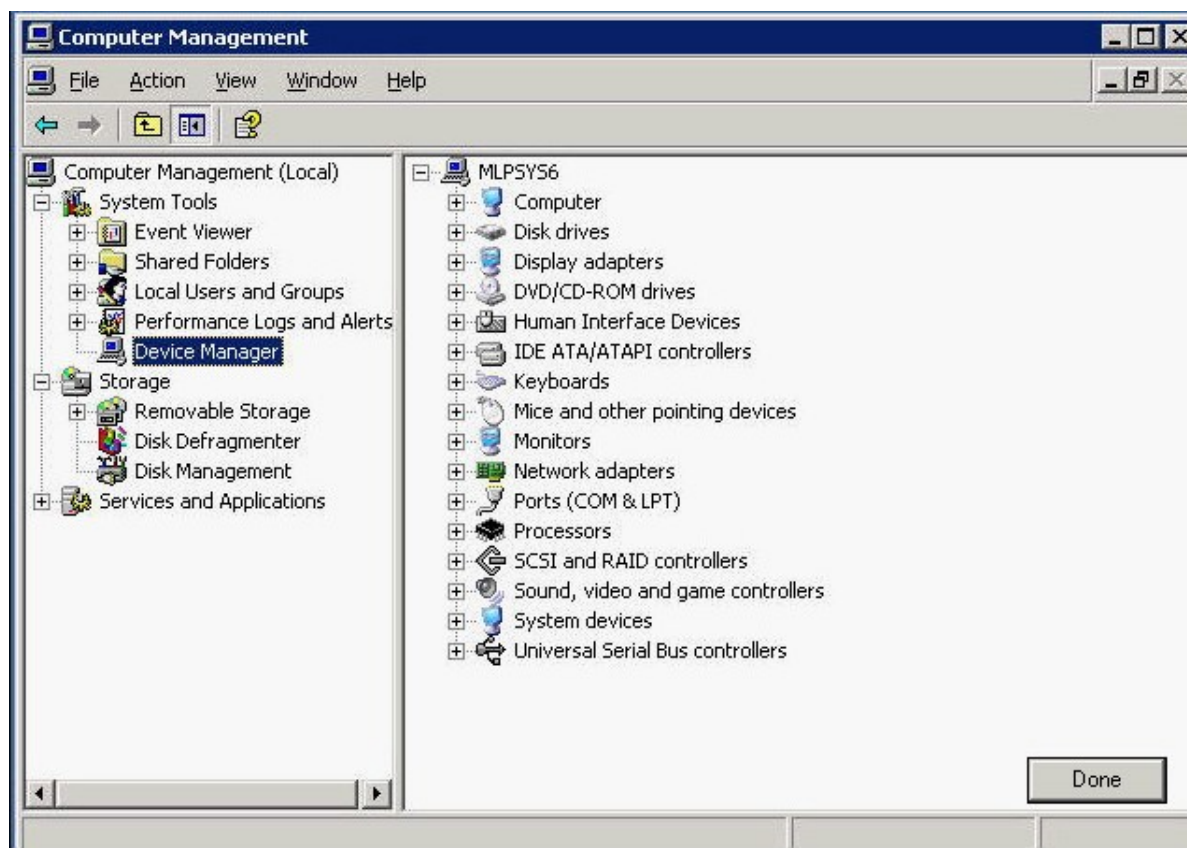
**11.Which path below corresponds to the following ACPI path from the EFI device mapping table?**

**Acpi(HWP0002,0)/Pci(3|0)/Scsi(Pun6,Lun0)/HD(Part1,SigCC245042-3D87-11D)**

- A.0/0/0/3/6.0.0
- B.0/0/0/3/0.6.0
- C.0/0/3/0/0.6.0
- D.0/2/0/3/0.6.0

**Correct:B**

**12.Click the Task button. Click in the area of the graphic where you would look to find the PCI hardware path information for the PCI-X to PCI-X bridge on the LAN/SCSI board of an rx7620 server.**



**Correct:**

**13.Which command displays a list of devices and their system paths on an rx7620 server running HP-UX?**

- A.show device
- B.ioscan
- C.scanpci
- D.list devicesD.list devices

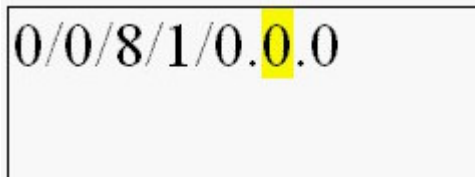
**Correct:B**

**14.The following HP-UX hardware path is from an rx8620 system with an attached Server Expansion Unit (SEU)? 3/0/6/1/0 Where is the device associated with this path located?**

- A.Core I/O in the SEU
- B.PCI-X slot in the SEU
- C.Core I/O in the rx8620 enclosure
- D.PCI-X slot in the rx8620 enclosure

**Correct:B**

**15.Click the Exhibit button. In the path shown for HP-UX, what does the highlighted character represent?**



- A.the PCI ID number
- B.the PCI function number
- C.the SCSI physical unit number
- D.the SCSI logical unit number

**Correct:C**

**16.Which SDA command shows a list of PCI devices and the associated hardware path values on an rx7620 server running OpenVMS?**

- A.CLUE CONFIG
- B.SHOW DEVICE /PCI
- C.CLUE SYSTEM
- D.SHOW RESOURCES

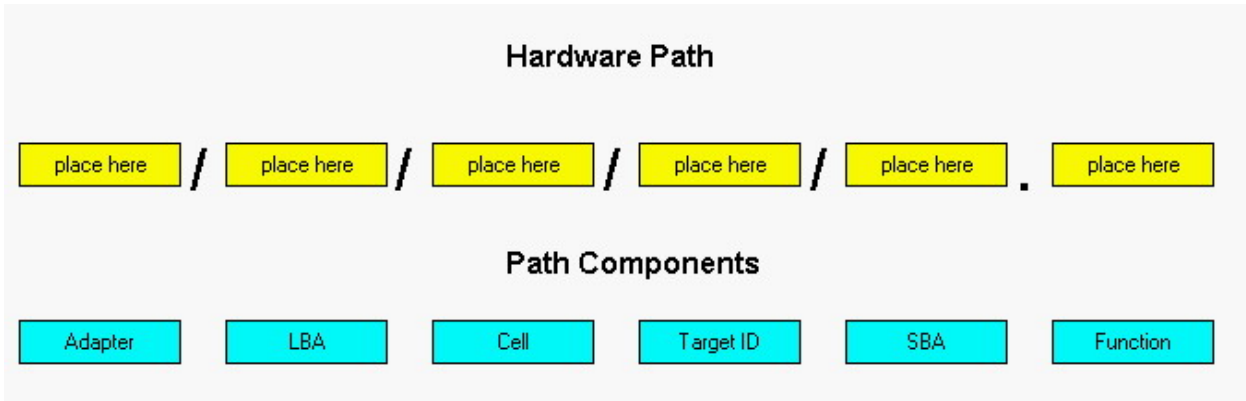
**Correct:A**

**17.On an HP Integrity server running Linux, you execute the lspci command and receive the following: 40:01.0 Fibre Channel: QLogic Corp. QLA2312 Fibre Channel Adapter (rev 03) 40:01.1 Fibre Channel: QLogic Corp. QLA2312 Fibre Channel Adapter (rev 03) How do you interpret this? Select TWO.**

- A.There are two separate Fibre Channel PCI cards installed.
- B.There is one Fibre Channel PCI card installed with two ports.
- C.The card(s) are installed in a PCI-slot connected to rope 2.
- D.The card(s) are installed in a PCI-slot connected to rope 4.

**Correct:B C**

**18.Click the Task button. Using drag and drop, move the path components to the appropriate location in a hardware path for an rx7620 server.**



Correct:

Green choice3---->Yellow Choice1

Green choice5---->Yellow Choice2

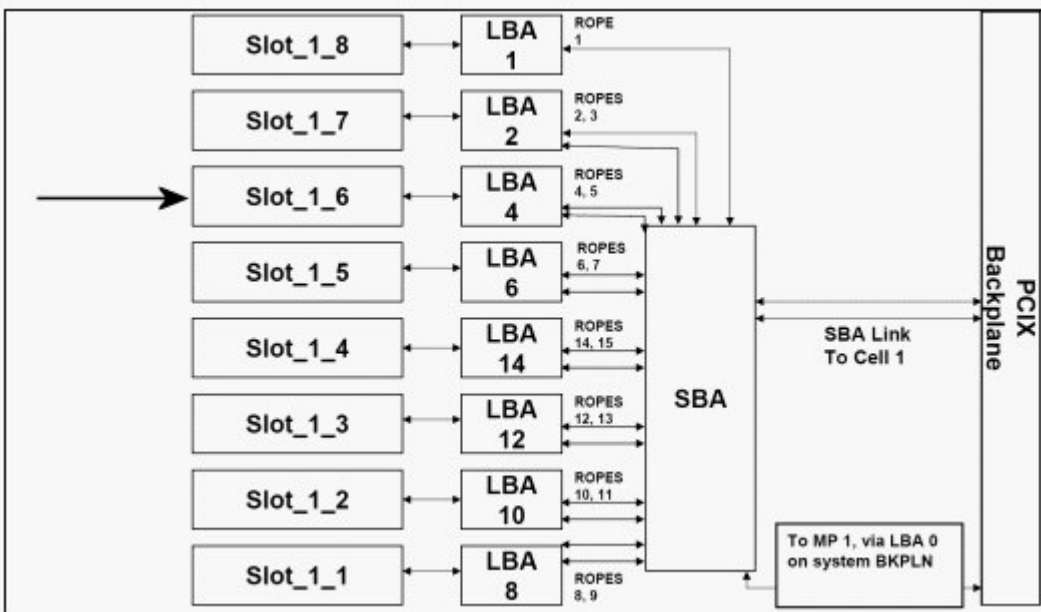
Green choice2---->Yellow Choice3

Green choice1---->Yellow Choice4

Green choice6---->Yellow Choice5

Green choice4---->Yellow Choice6

19. Click the Exhibit button. What is the path of the PCI-X slot identified by the arrow in the block diagram shown?



- A. 1/0/6/1/0
- B. 1/0/4/0/1
- C. 1/0/4/1/0
- D. 1/0/6/0/1

Correct: C

20. Click the Exhibit button. In the hardware path shown for HP-UX, which device is highlighted?

1/0/1/1/0/4

- A.cell
- B.SBA
- C.target device
- D.PCI to PCI bridge device

**Correct:D**